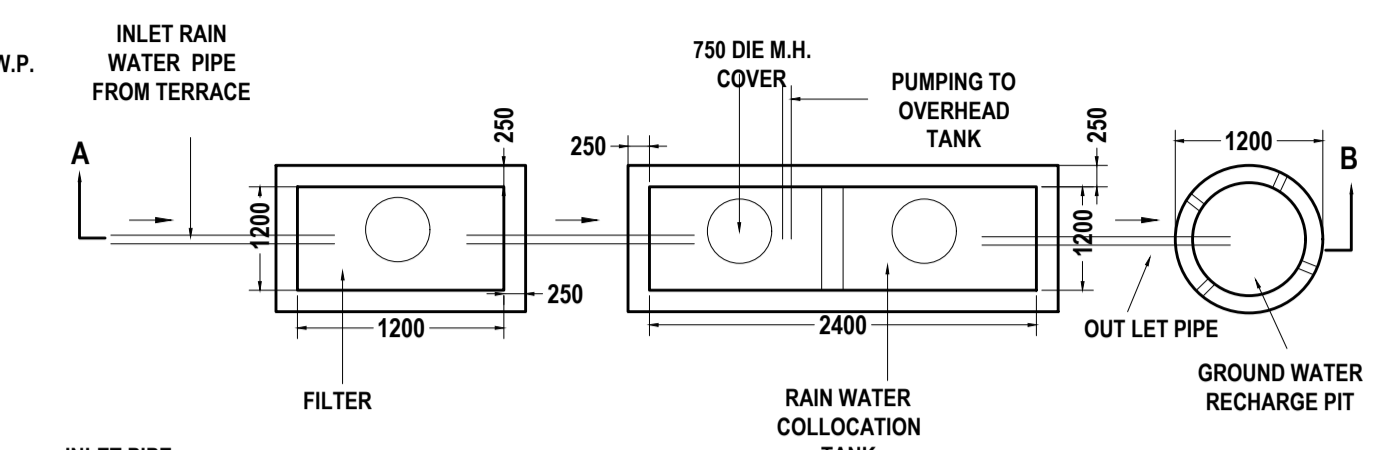
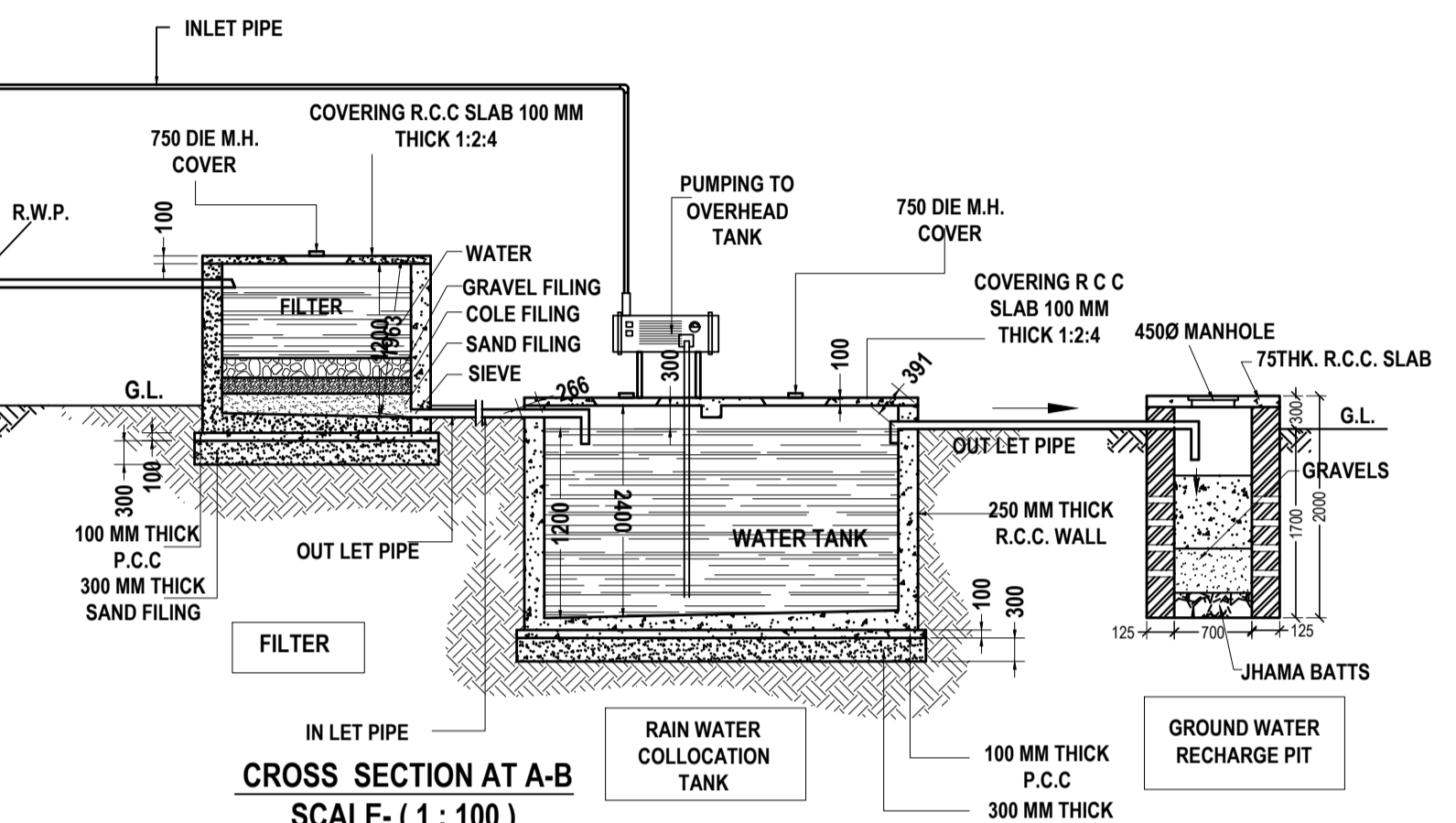


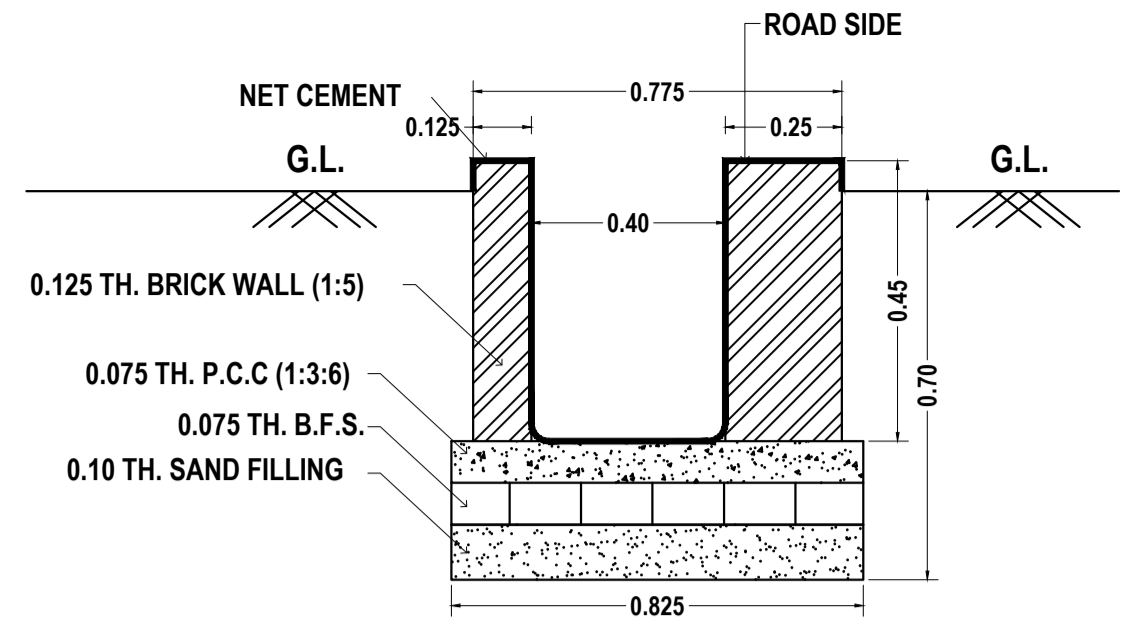
**CROSS SECTION OF BUILDING**  
SCALE- ( 1 : 100 )



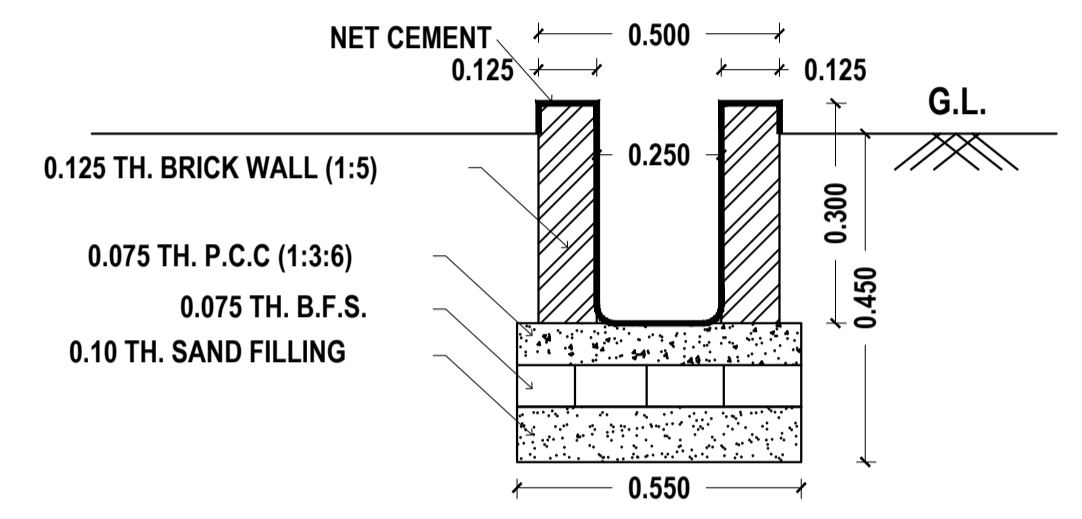
**PLAN OF RAINWATER HARVESTING**  
SCALE- ( 1 : 100 )



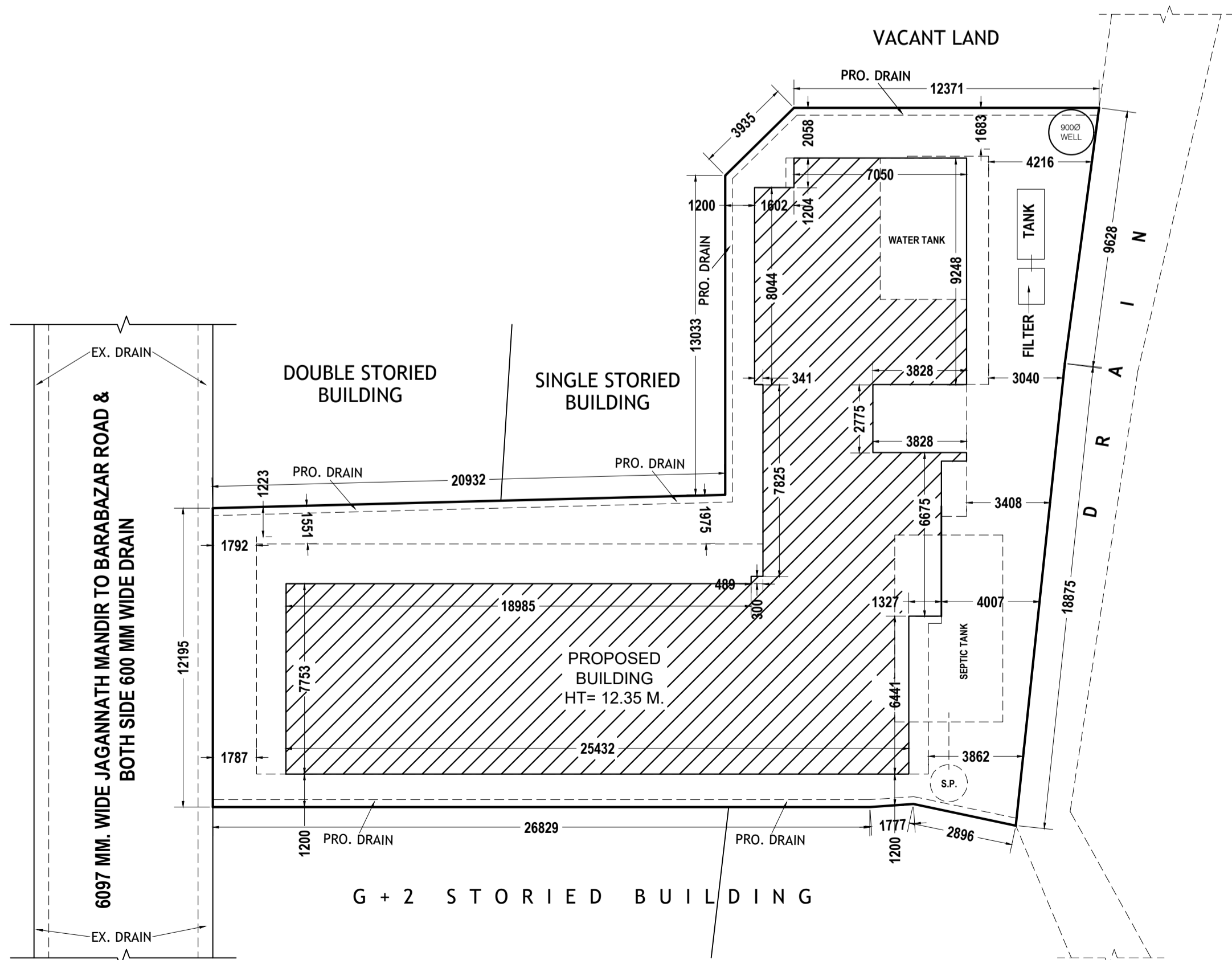
**CROSS SECTION AT A-B**  
SCALE- ( 1 : 100 )



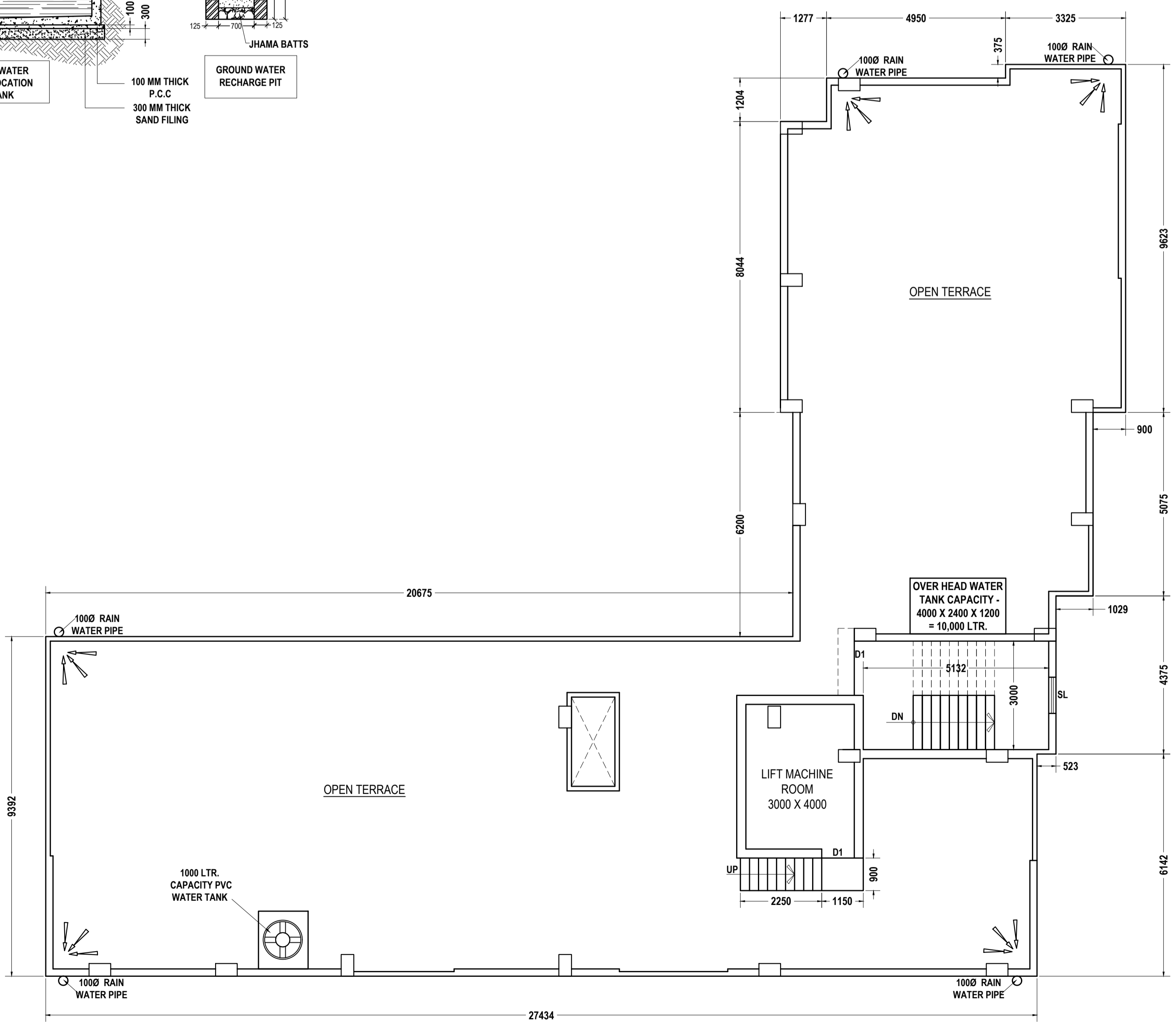
**CROSS SECTION OF EXISTING PUCCA DIAIN**  
(SCALE - 1 : 20)



**CROSS SECTION OF HOUSE DRAIN**  
(SCALE - 1 : 20)



**SITE PLAN**  
SCALE- ( 1 : 200 )  
DIMENSION ARE IN MM.



**TERRACE PLAN**  
SCALE- ( 1 : 100 )

**TITLE :**  
THE PLAN SHOWING FOR THE CONSTRUCTION OF PROPOSED ROOF TOP RAIN WATER HARVESTING SYSTEM IN PROPOSED G+3 STORIED RESIDENTIAL APARTMENT OF  
1) SUBHADEEP DAS, S/O.- MRINAL KANTI DAS, 2) JISHNU DAS, S/O.- MRINAL KANTI DAS, 3) MRINAL KANTI DAS, S/O.- LATE RAM CHANDRA DAS, AT MOUZA:- SUJAGANG, J.L. NO.- 182, IN R.S. PLOT NO.- 154, 159, 160, 161 & 162/734 (PART), L.R. PLOT NO.- 193, 198, 199, 200 & 201 (PART), HOLDING NO.- 1400, WARD NO.- 17, STREET - PAHARIPUR, P.S.- MIDNAPORE, DIST.- PASCHIM MEDINIPUR, UNDER MIDNAPORE MUNICIPALITY.MIDNAPORE.

REFERENCE	
PLOT LINE	
EX.DRAIN	
PROP. DRAIN	
EXI. ROAD	
WATER SUPPLY LINE	
DRAINAGE & SEWERAGE WORK	
ELECTRIC POST	
WATER TAP	

**NOTE:-**  
ALL DIMENSION ARE IN MM.  
WATER TO BE SUPPLIED IN TO THE HOUSE FROM WELL THROUGH OVER HEAD TANK BY 1 HP Z-PUMP.

**ER. SIDDHARTHA SAHOO,**  
B.Tech Civil Engineer, LBS CLASS-I,  
MIDNAPORE MUNICIPALITY, REG. NO.- MID/LBS-102/23,  
Mob.-977576601, Land Line.-03222-355241

